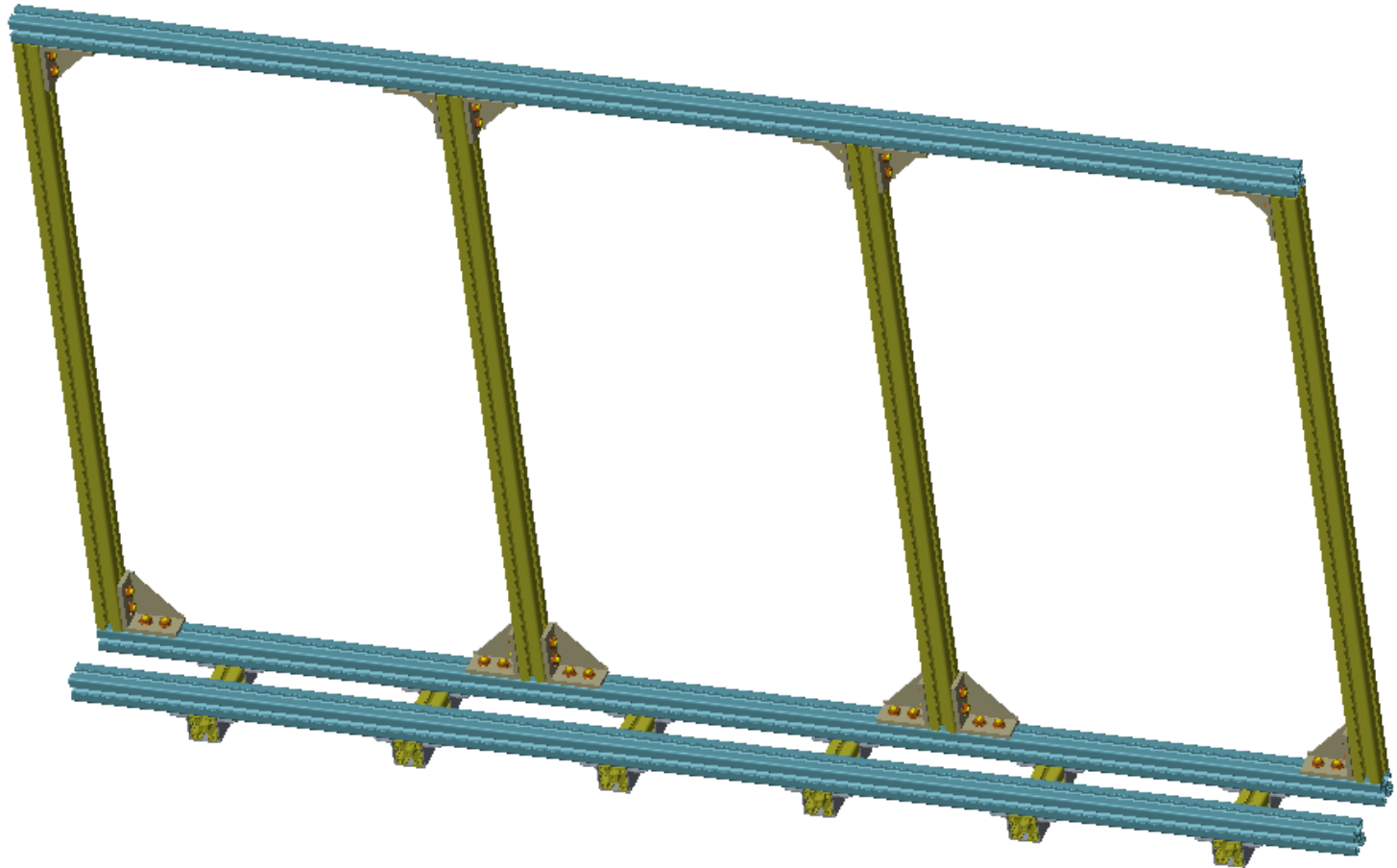


**Frame thick:154mm; Installation Space Maximum;18cm**

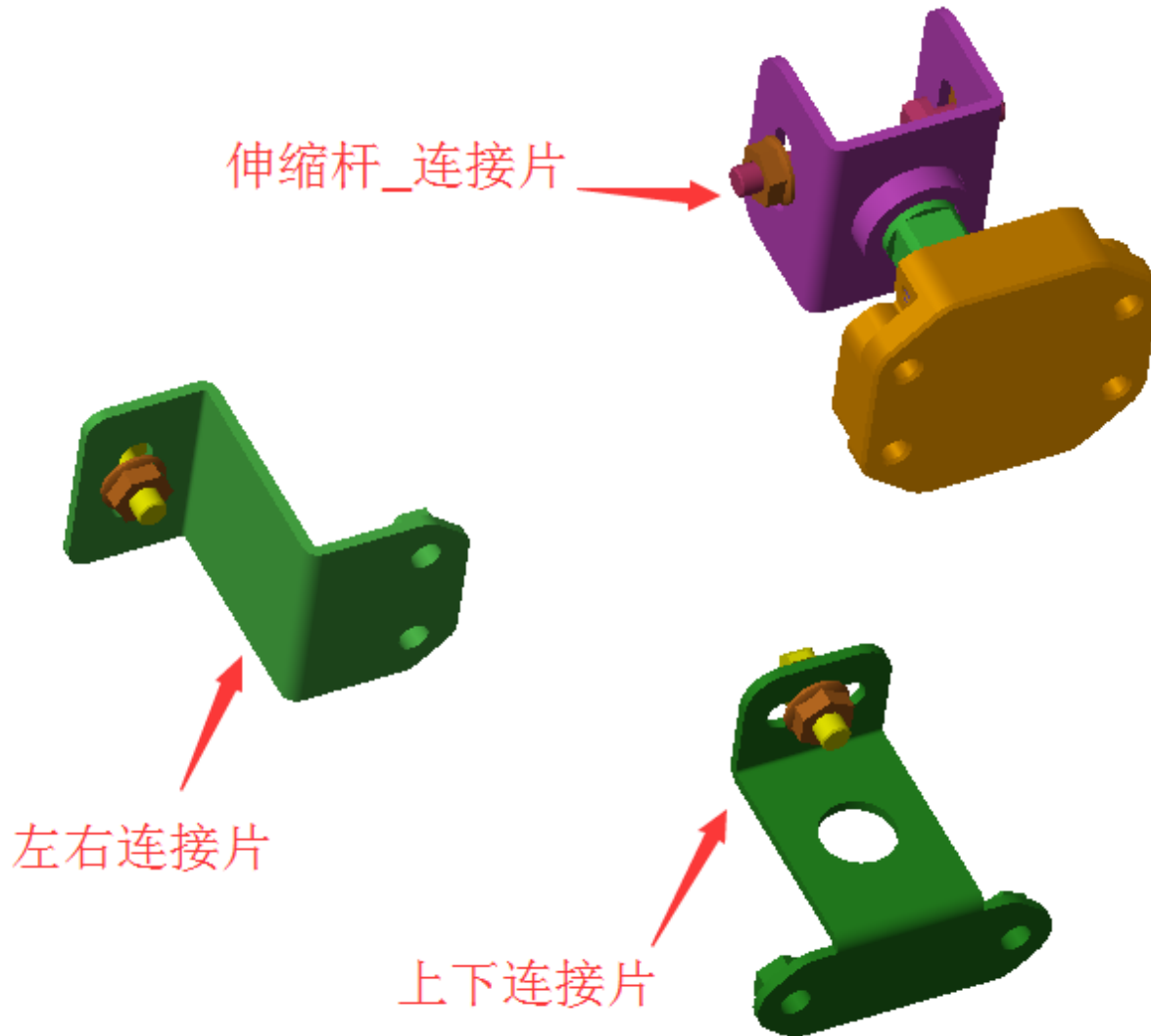
**Boarder mask width no less than 80-100mm;**

**The bottom of the wall will support all the weight of the screen; It required concrete wall;**

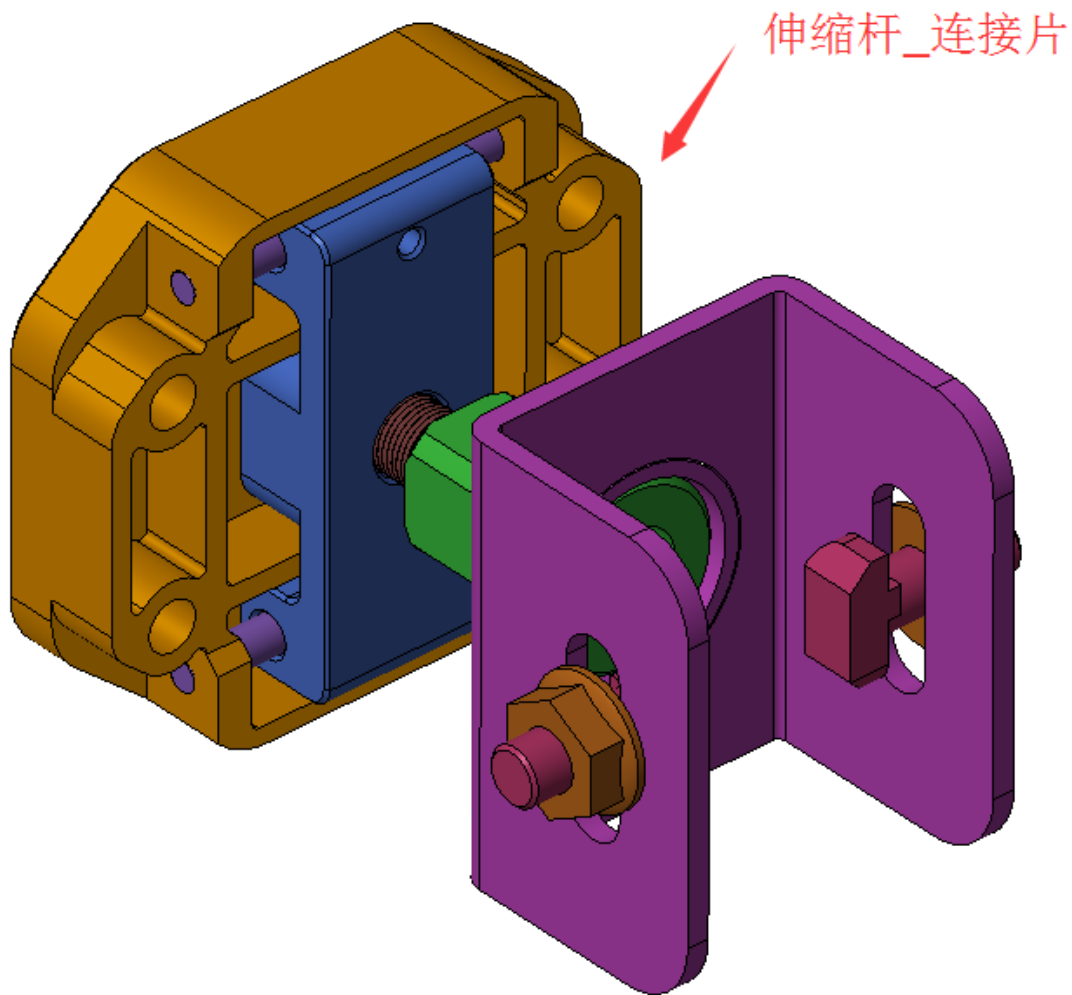


Main accessories included

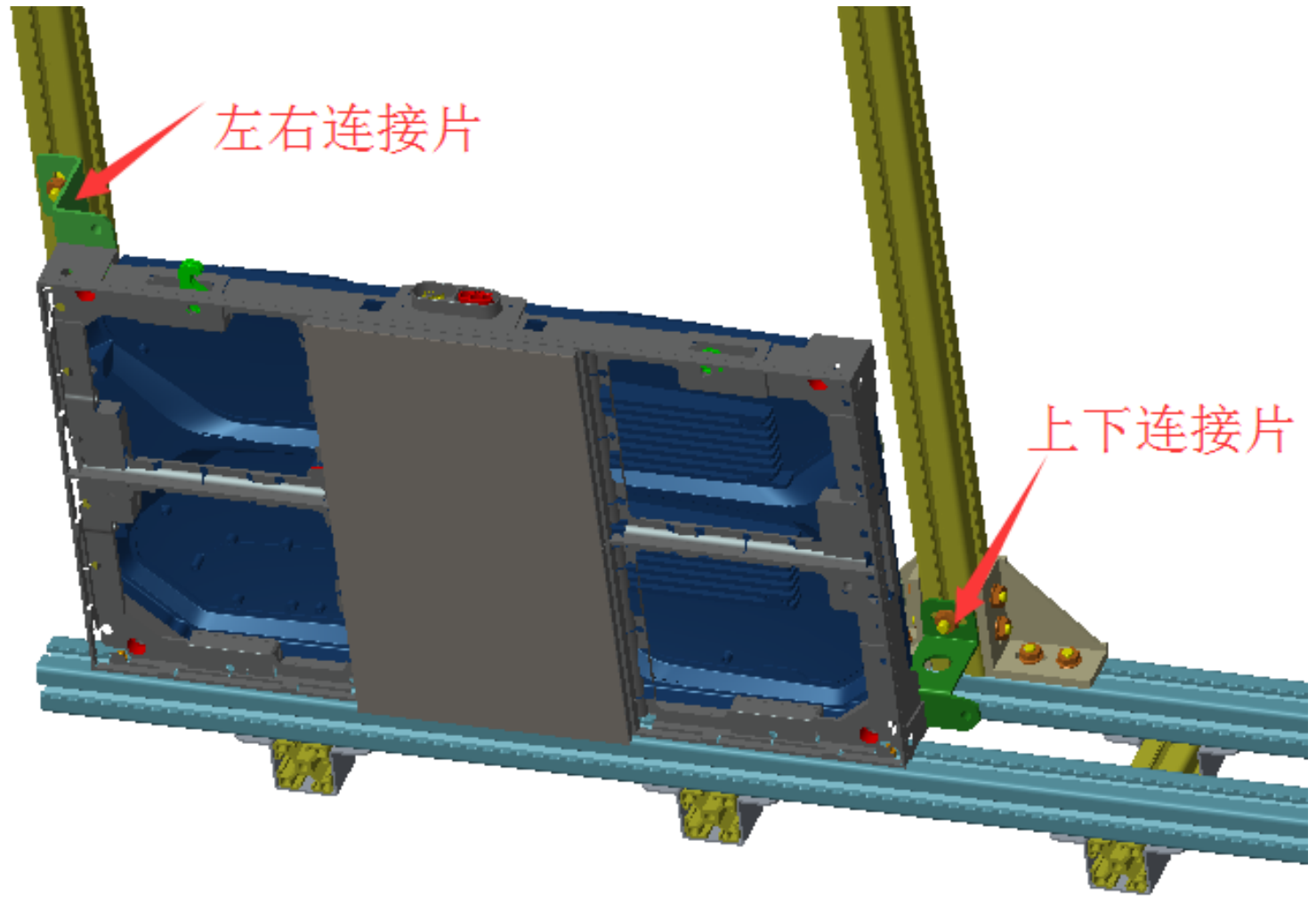
Horizontal Connection plate , Vertically connection plate, Connection plate for holding the cabinets onto the frame



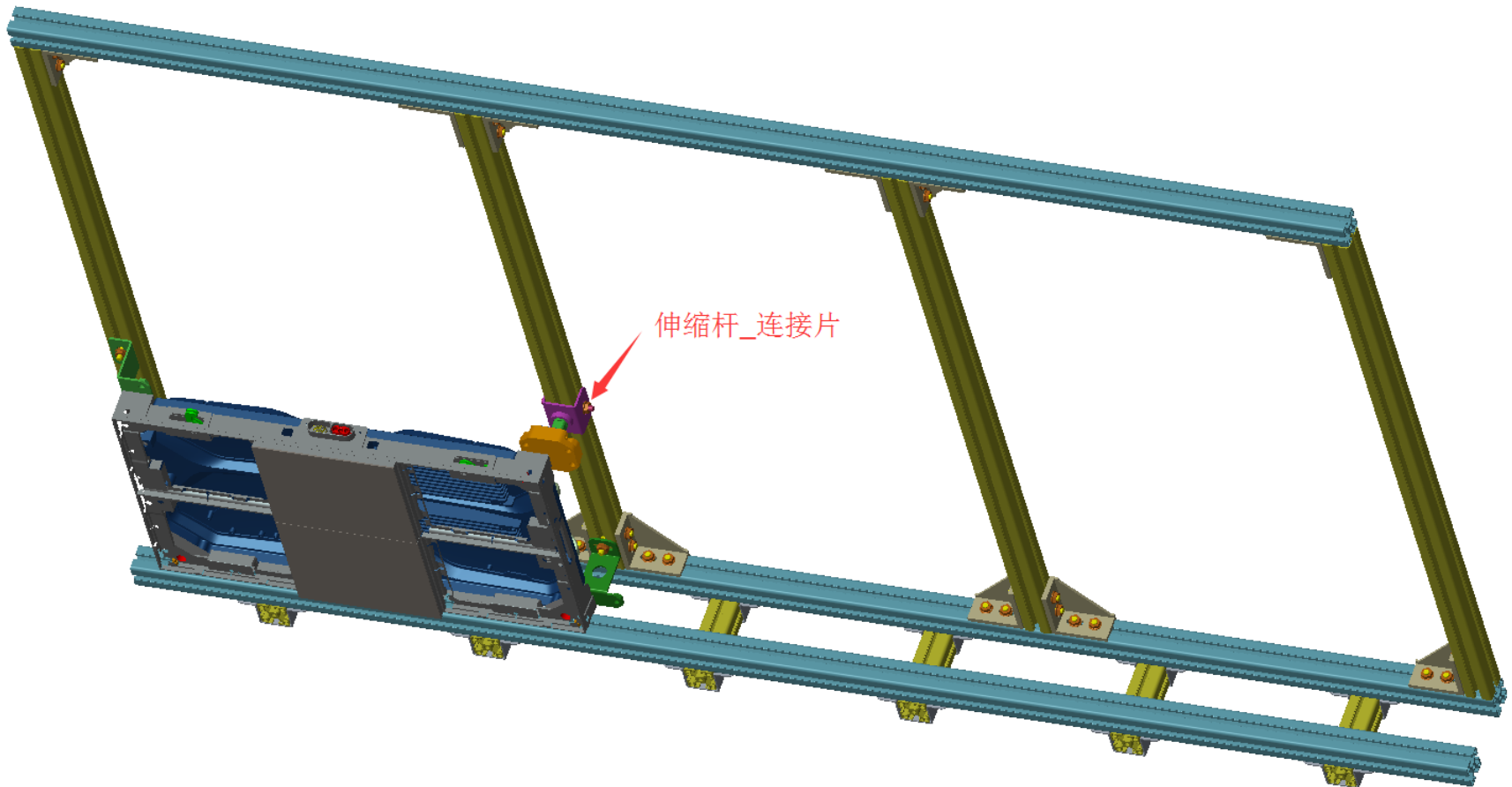
This is the connection plate to fix the cabinets onto the frame;  
Its flexible and it allows 8mm adjustable horizontally and 10mm adjustable vertically ; You can  
position;



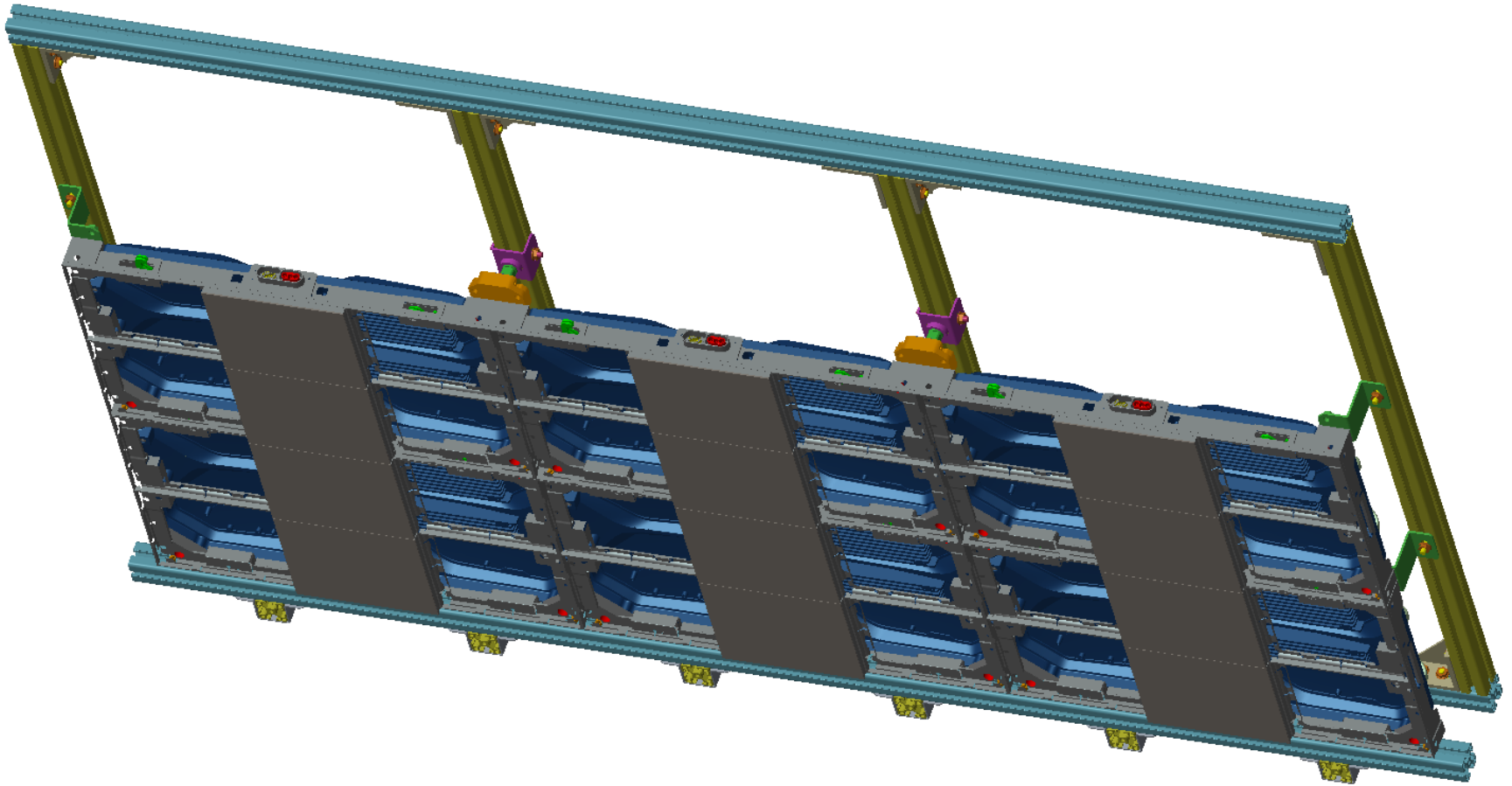
What the left arrow pointed is to show the horizontal connection plate application;  
What the right side arrow pointed is to show the vertical connection plate application;



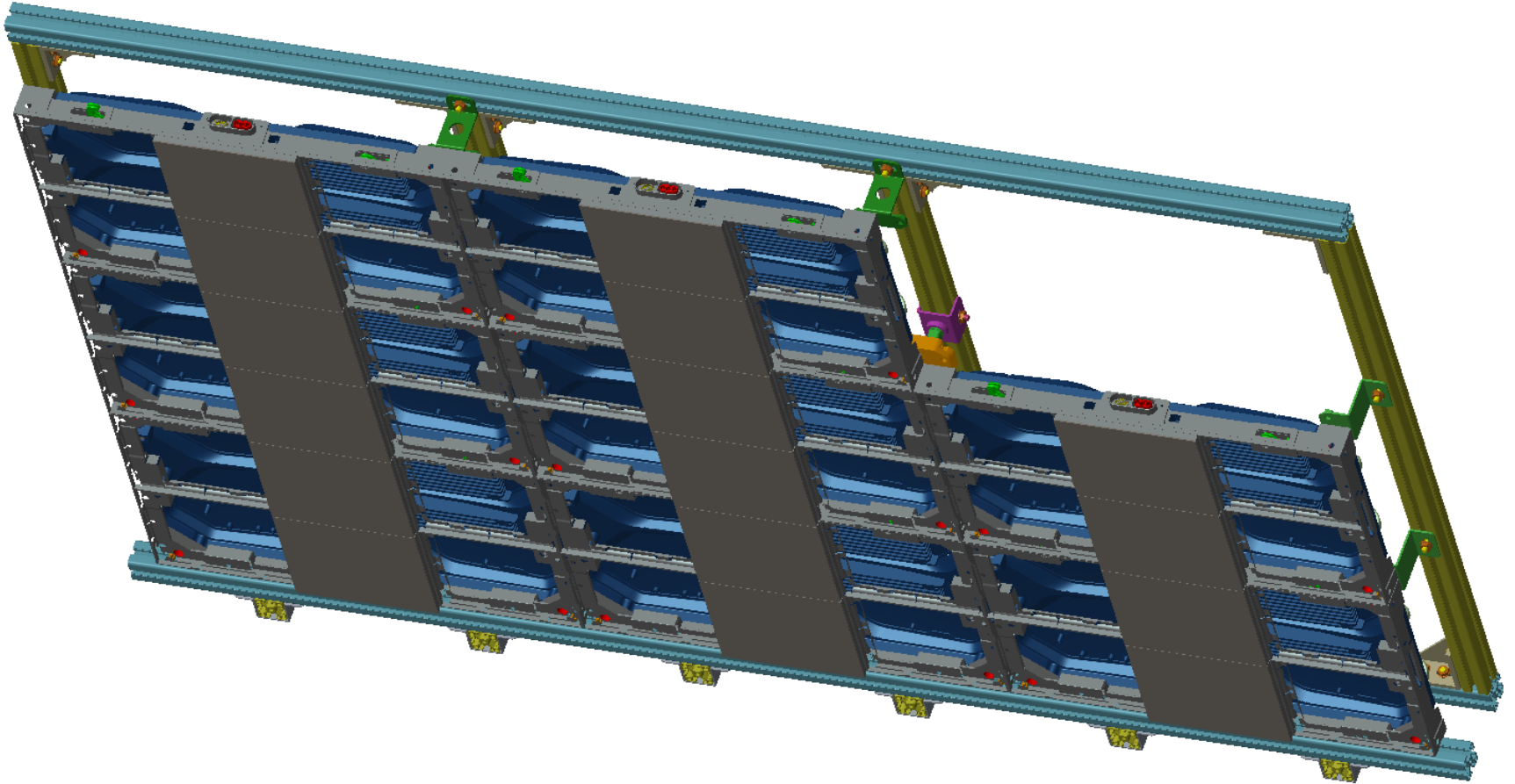
6pcs modules on each cabinet should be took off while installation;  
What the arrow pointed is to show how to fix the cabinets on the supporting frame; Tighten the M8\*40screw from front side of the cabinet;



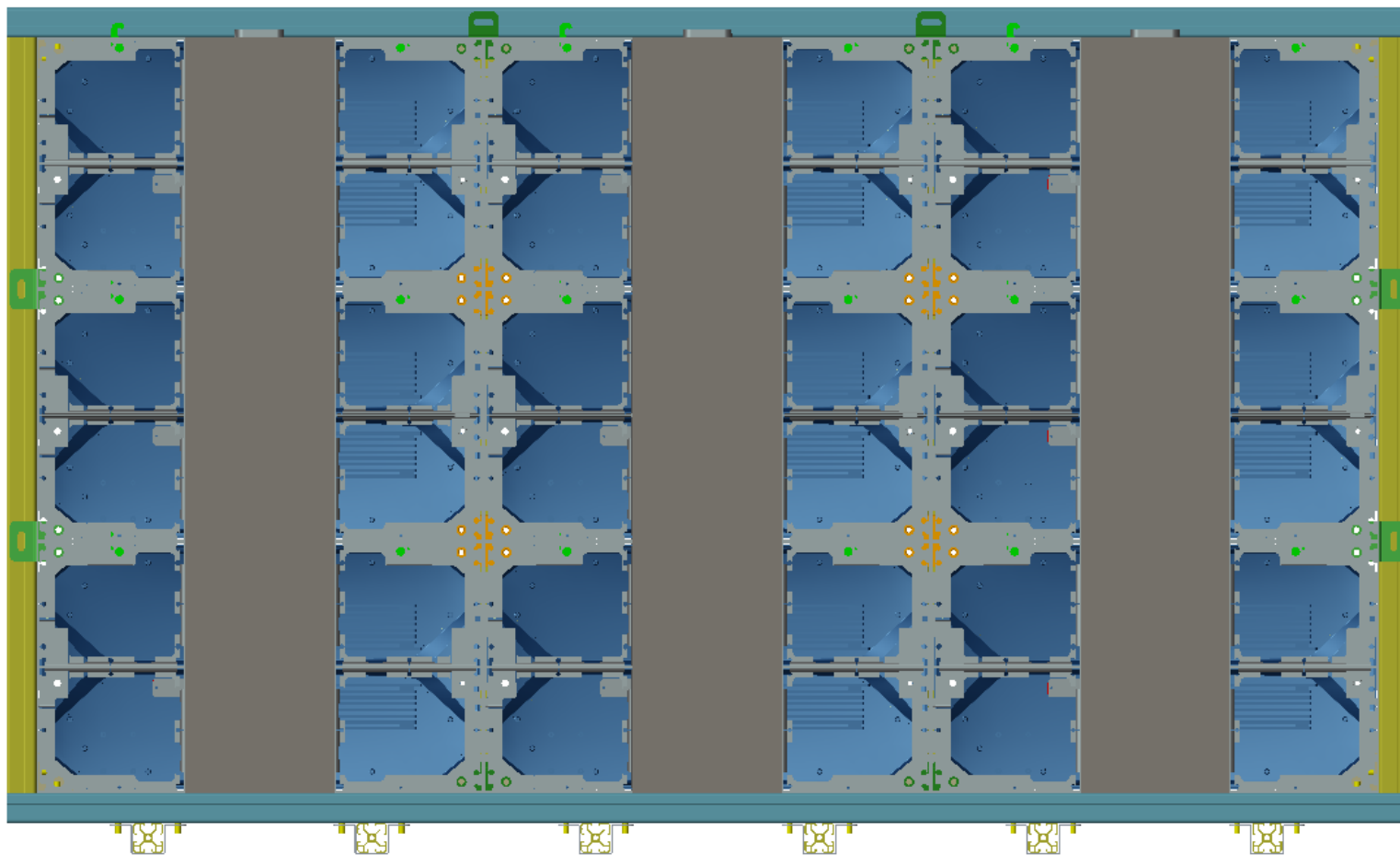
To adjust the connection plates to make sure the screen surface is flat;



To put all cabinets and fix them in the same way



Now to put back the 6pcs missed modules on each panel;





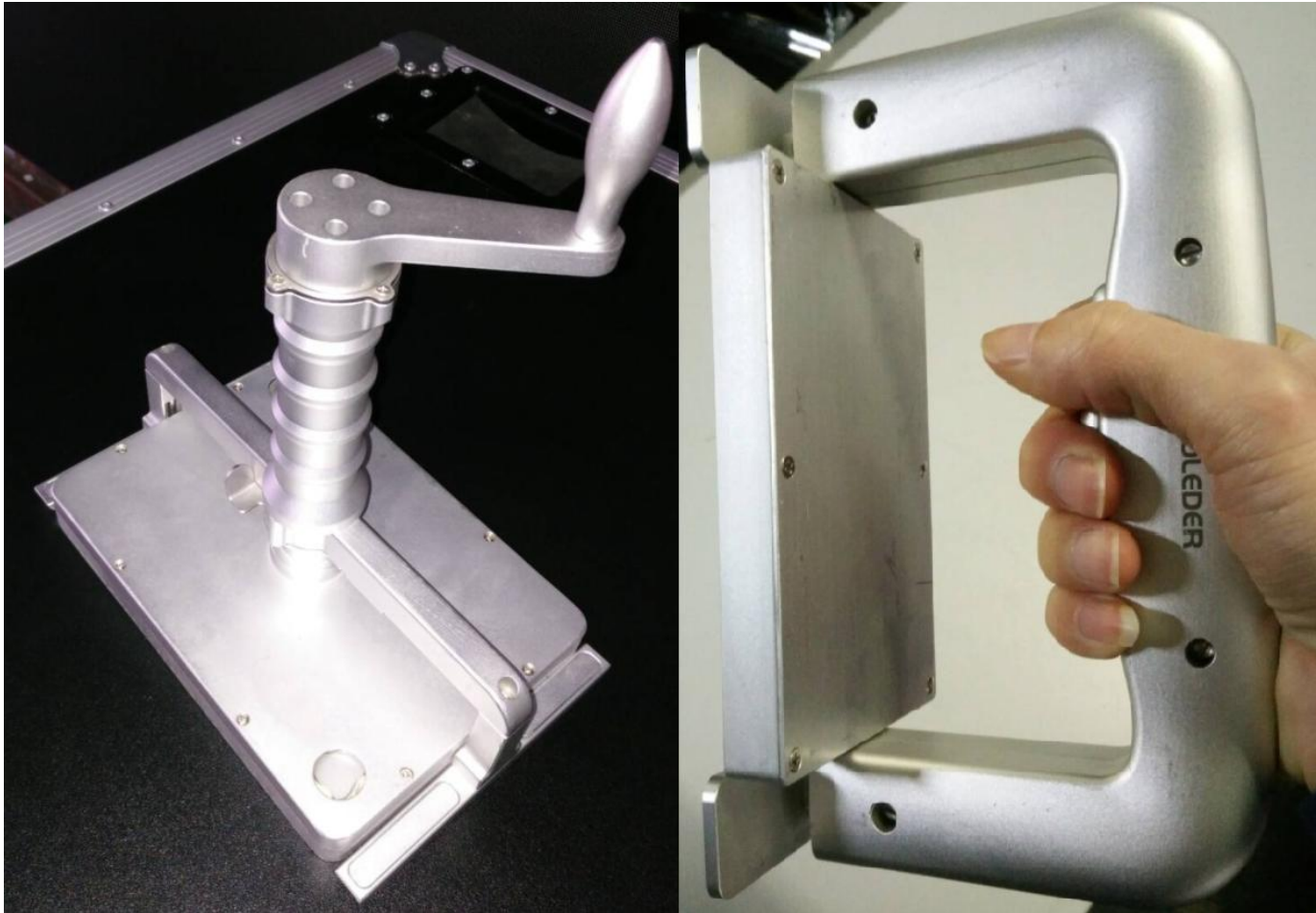
The power and signal input can go through from top line of cabinets and also can go through from the bottom line of cabinets;



The hidden power and signal connector usually is designed at the bottom of the cabinet. It can also be turn 90 degree like the below picture;



## Pop in and pop out tool[magnetic]



Tools needed during installation; Factory will deliver together with goods;

